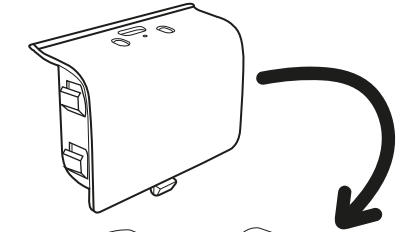
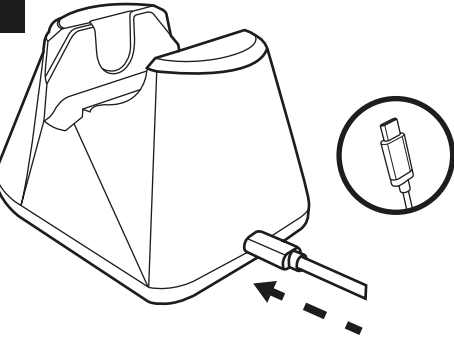


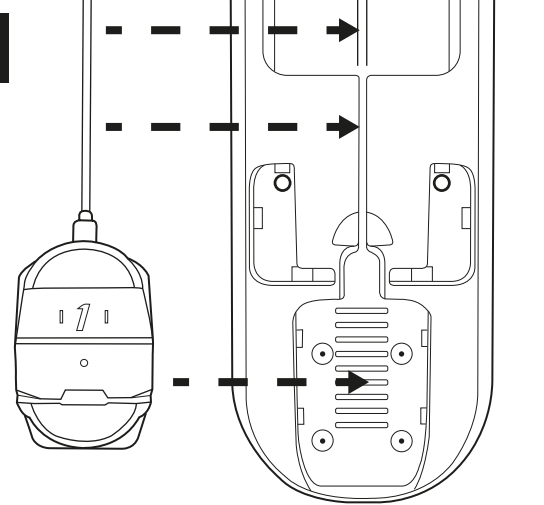
1



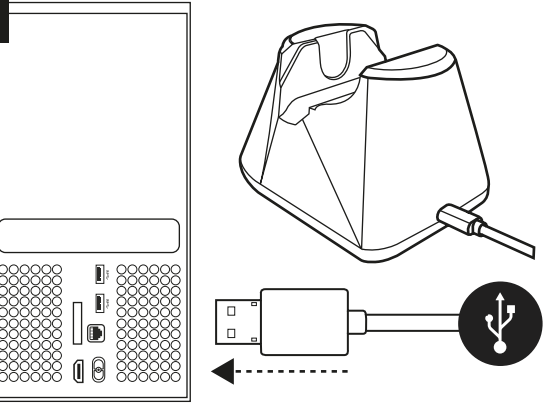
2



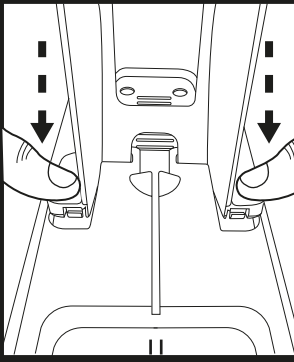
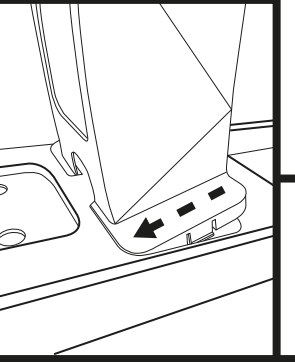
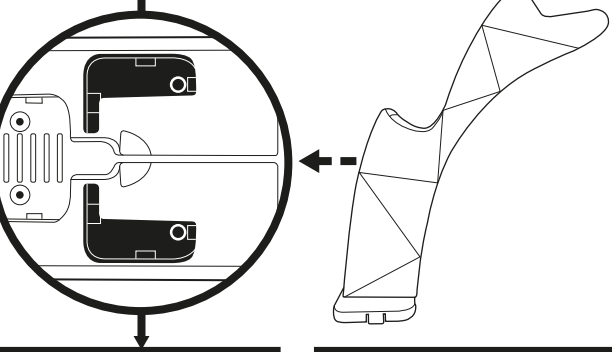
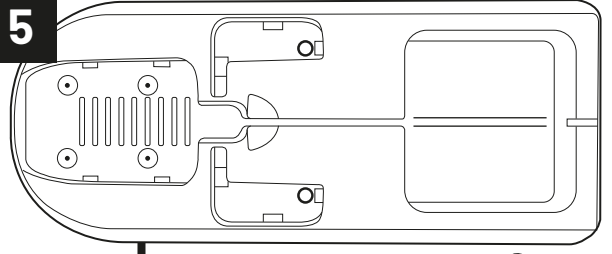
3



4



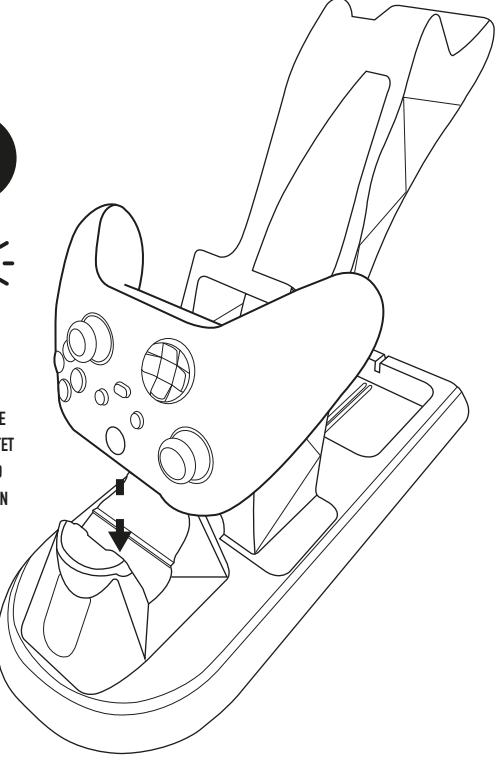
5



6



POWER ON
ALLUMÉ
ACCENSIONE
EINGESCHALTET
ENCENDIDO
VOEDING AAN



CHARGING / EN CHARGE / CARICA IN CORSO
WIRD AUFGELADEN / CARGANDO
BEZIG MET OPLADEN



CHARGED / CHARGÉ / CARICA COMPLETATA
AUFGELADEN / CARGADO
OPGELADEN

**HAVING TROUBLE SETTING UP?
WE CAN HELP!**

**TECHNICAL SUPPORT
QUESTIONS / SET-UP / NOT WORKING?**

ONLINE: 4GAMERS.NET
Set-Up Guides, Support Articles, FAQ's and more

EMAIL: HELP@ABPTECH.CO.UK
How can we help? Our support team will answer your questions

LIVE CHAT:
Speak to our Support Team by clicking the 'Chat With Us' box over at **4gamers.net**

OPERATING TIMES:
Monday - Thursday 9am to 5pm
Friday 9am to 4pm
(UK Times - GMT)

FR: ONL D'EXPRESSION ANGLAISE
IT: ONL ANGLOFONO
DE: ENGLISCH SPRECHENDES ONL
ES: ONL DE HABLA INGLESA
PT: ATENDIMENTO APENAS EM INGLÊS

**HAPPY WITH YOUR PRODUCT?
DON'T FORGET TO LEAVE A REVIEW ON THE RETAILER
WEBSITE OR OUR FACEBOOK PAGE.**

PLEASE FOLLOW US AT...

@4GAMERSNET
4GAMERS.NET



**QUICK START GUIDE
GUIDE DE DÉMARRAGE RAPIDE**

Federal Communication Commission
Class B Interference Statement

This device complies with part 15 of the FCC Rules. Operation is subject to the following two conditions: (1) this device may not cause harmful interference, and (2) this device must accept any interference received, including interference that may cause undesired operation.

This equipment has been tested and found to comply with the limits for a Class B digital device, pursuant to part 15 of the FCC Rules. These limits are designed to provide reasonable protection against harmful interference in a residential installation. This equipment generates, uses, and can radiate radio frequency energy and, if not installed and used in accordance with the instructions, may cause harmful interference to radio communications. However, there is no guarantee that interference will not occur in a particular installation.

If this equipment does cause harmful interference to radio or television reception, which can be determined by turning the equipment off and on, the user is encouraged to try to correct the interference by one or more of the following measures:

- Reorient or relocate the receiving antenna.
- Increase the separation between the equipment and receiver.
- Connect the equipment to an outlet on a circuit different from that to which the receiver is connected.
- Consult the dealer or an experienced radio/TV technician for help.

Canadian ICES Statements
Canadian Department of Communications Radio Interference Regulations

This digital apparatus does not exceed the Class B limits for radio-noise emissions from a digital apparatus set out in the Radio Interference Regulations of the Canadian Department of Communications. This Class B digital apparatus complies with Canadian ICES-003.

Règlement sur le brouillage radioélectrique du ministère des Communications

Cet appareil numérique respecte les limites de bruits radioélectriques visant les appareils numériques de classe B prescrites dans le Règlement sur le brouillage radioélectrique du ministère des Communications du Canada. Cet appareil numérique de la Classe B est conforme à la norme NMB-003 du Canada.



Not recommended for children under 6 years of age. Please retain this packaging for future reference. Due to the company's policy of constant improvement and technical refinement, the company reserve the right to alter the specification. This product is not affiliated with, nor authorized, sponsored, or approved by Microsoft. XBOX™ is a registered trademark of Microsoft Corporation. 4GAMERS™ is a registered trademark of Accessories 4 Technology Ltd. All rights reserved. Manufactured Under Licence By ABP Technology Ltd. All rights reserved. Manufactured Under Licence By ABP Technology Ltd. Bolton. BL2 1BX. UK. MADE IN CHINA

